

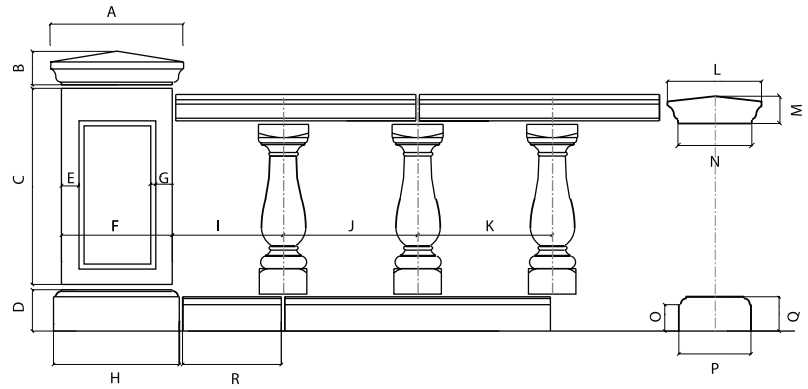
# Balustrade



## Balustrade RB 1

### DIMENSIONS

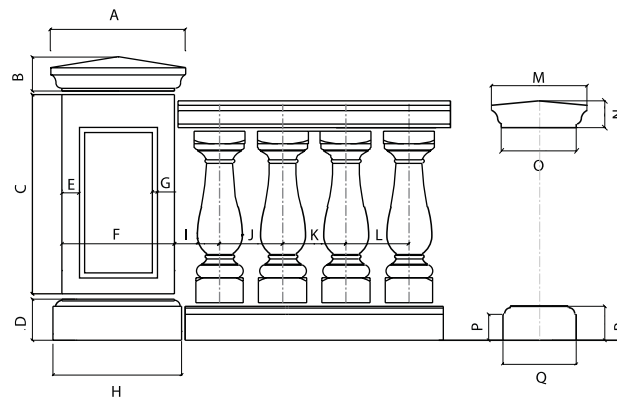
Type Ref:	A	B	C	D	E	F	
RB 1	395	113	583	122	50	330	
G	H	I	J	K	L	M	N
15	375	330	400	400	280	80	220
O	P	Q	R				
78	215	100	380				



## Balustrade RB 2

### DIMENSIONS

Type Ref:	A	B	C	D	E	F	
RB 2	395	113	583	122	50	330	
G	H	I	J	K	L	M	N
15	375	130	185	185	185	280	80
O	P	Q	R				
220	78	215	100				



## Balustrade SB 1100

### DIMENSIONS

Type Ref:	A	B	C	D	E	
SB 1100	395	113	833	240	50	
F	G	H	I	J	K	L
330	15	375	130	185	185	185
M	N	O	P	Q	R	
280	80	220	215	215	250	

